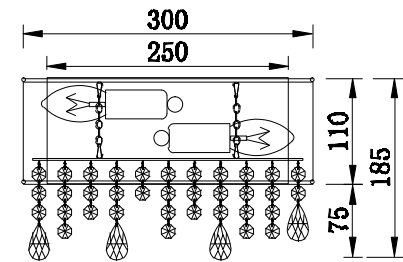
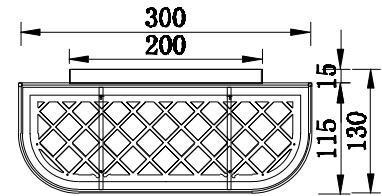
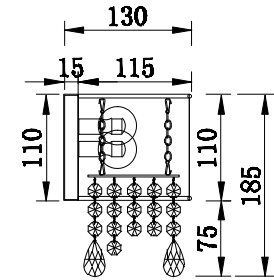
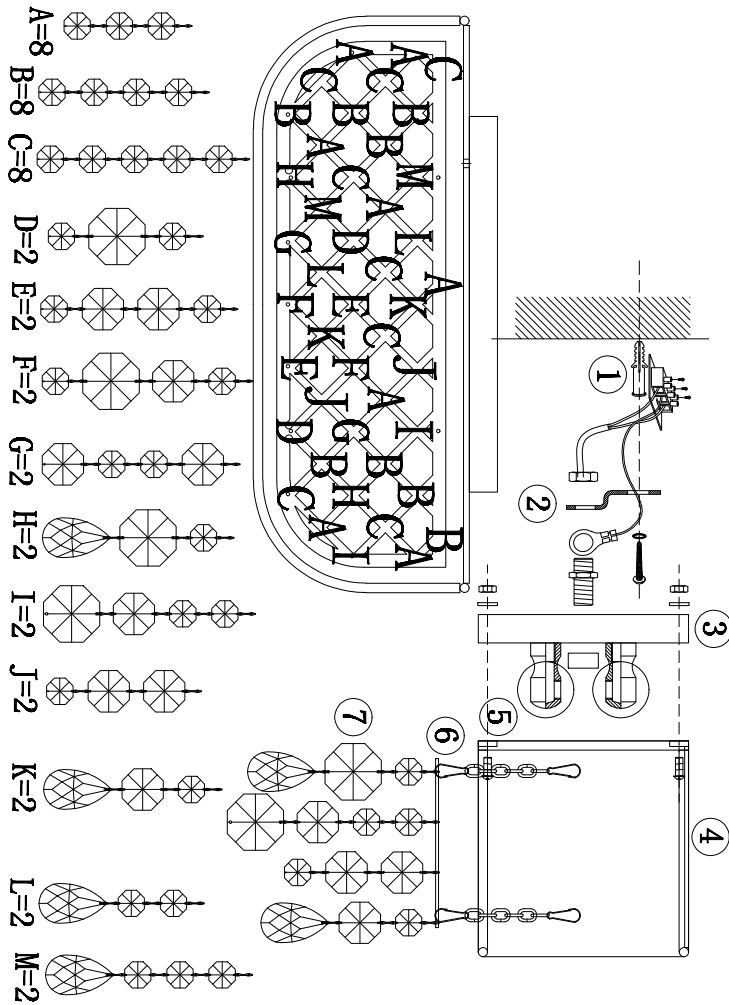


# Instruction

MOD600WL-02W



2 x E14 (60W)

Model: MOD600WL-02W  
Collection: Modern  
Series: Manfred



Wall Lamps