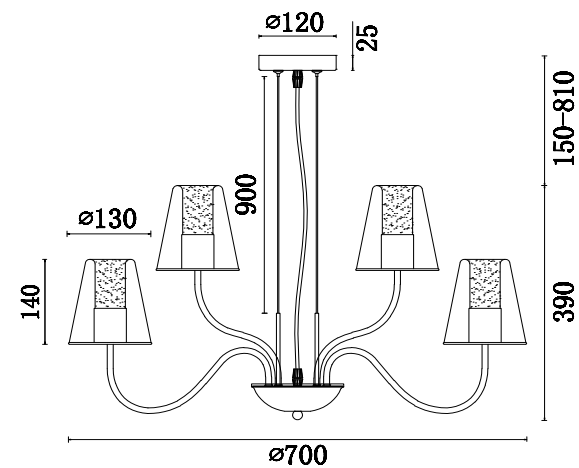
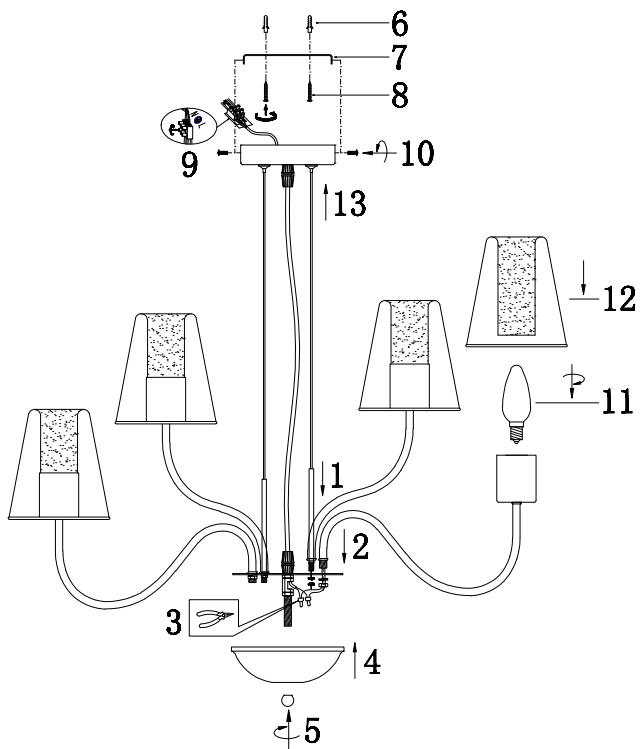


Instruction

FR5017PL-09CH



9 x E14 (40W)

Model: FR5017PL-09CH

Series: Ursula



Ceiling Lamps