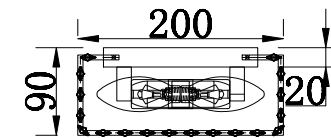
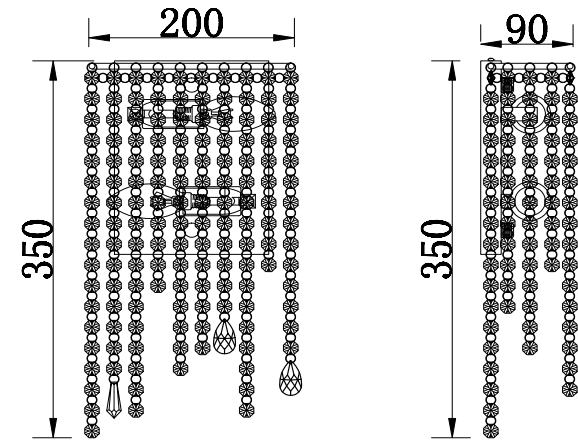
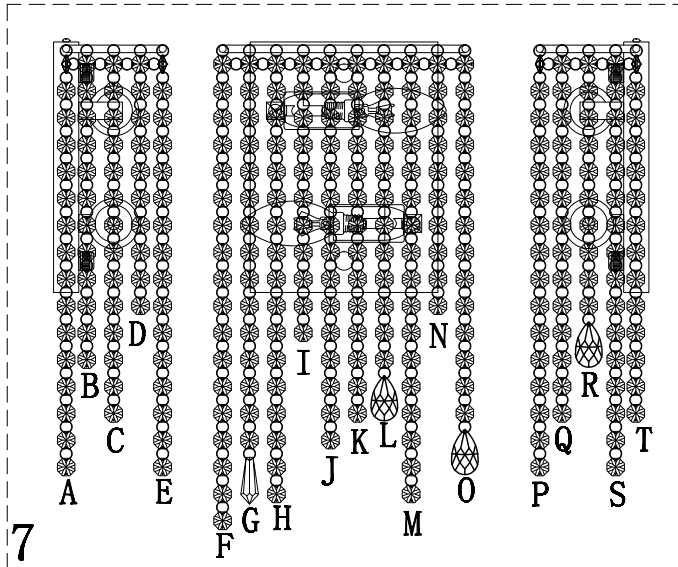
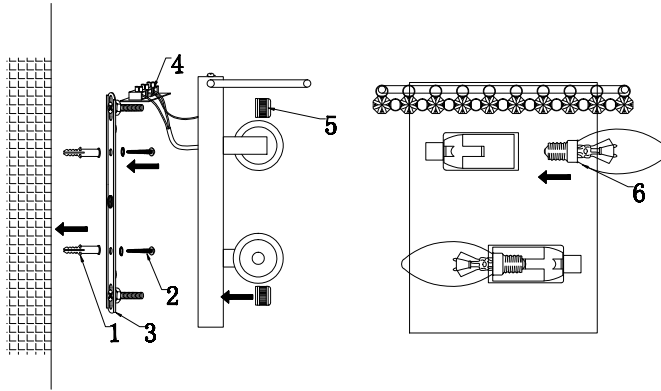


Instruction

DIA002WL-02CH



2 x E14 (60W)

Model: DIA002WL-02CH
Collection: Diamant Crystal
Series: Empress



Wall Lamps