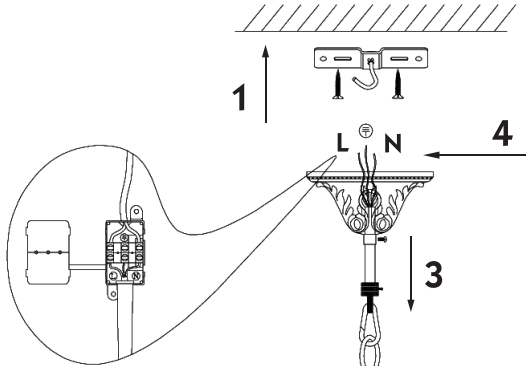
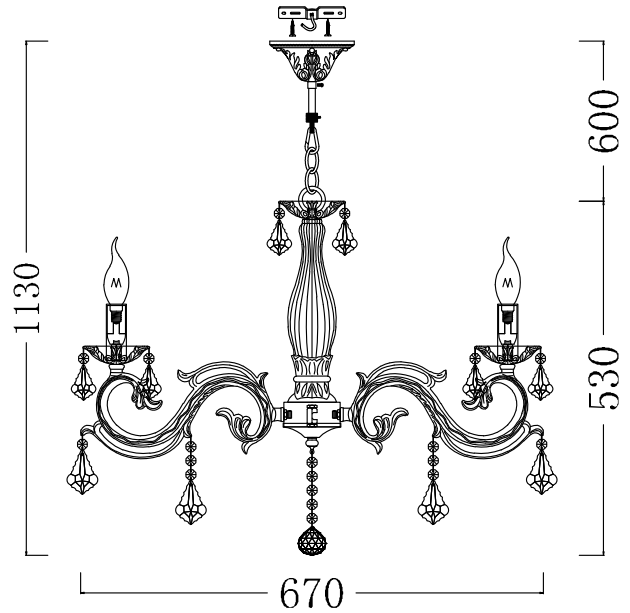
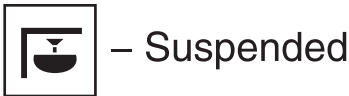
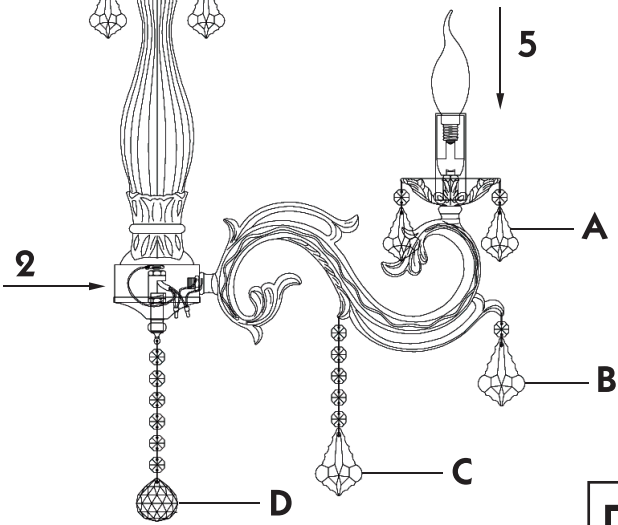



# Instruction



Collection: Elegant  
Series: Bronze  
Model: ARM245-06-W  
Suspended

- A = 21
- B = 6
- C = 6
- D = 1



  
6 x E14 (60w)

**MAYTONI**  
DECORATIVE LIGHTING  
[www.maytoni.de](http://www.maytoni.de)